



## 2001

Wheel Dumpers



### Swivel tipping skip as standard – 2001.

With its 2,000 kg payload, optional a self-loading system and an optional skip with a dumping height of only 2.65 m the four-wheel dumper 2001 is top-of-the range, in every respect. It simply moves better.

- Standard swivel tipping skip, self-loading system (optional); skip with lower dumping height - 2,550 mm (optional); maximum payload 2,000 kg.
- Hydrostatic twin-lock four-wheel drive.
- Continuously variable speed up to 21 km/h max.
- Large service and maintenance access.
- Clearly laid out instrument panel and wide, robust leg protection.

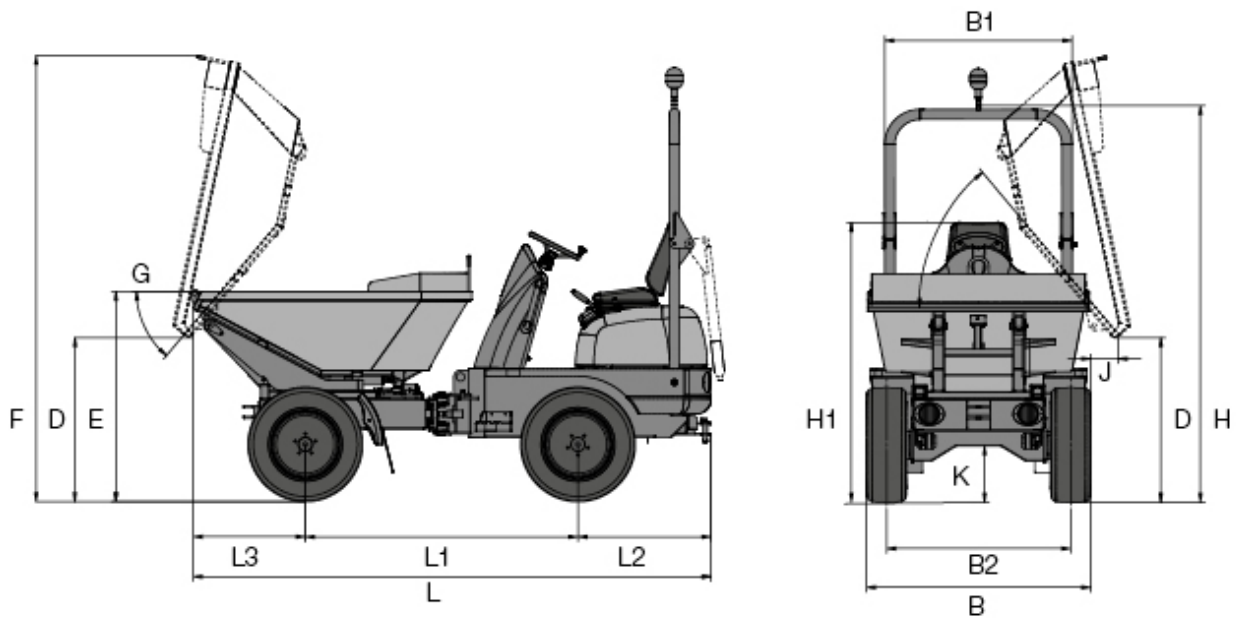


## Technical specifications

	2001 Swivel tip skip	2001 SLE	2001 Low skip
<b>Operating data</b>			
Payload kg	2,000	2,000	2,000
Net weight kg	1,810	1,810	1,810
Skip capacity level I	930	775	785
Skip capacity heaped I	1,210	1,050	1,000
<b>Engine / Motor</b>			
Engine / Motor manufacturer	Yanmar	Yanmar	Yanmar
Engine / Motor type	3TNV82A	3TNV82A	3TNV82A
Engine / Motor	Diesel	Diesel	Diesel
Engine performance acc. to ISO 3046/1 kW	22.5	22.5	22.5
Displacement cm <sup>3</sup>	1,331	1,331	1,331
Travel speed km/h	21	21	21
Articulation angle °	37	37	37
Pendulum angle °	15	15	15
Turning radius mm	3,500	3,500	3,500
Gradeability %	45	45	45
L x W x H mm	3,420 x 1,485 x 2,650	3,530 x 1,485 x 2,650	3,420 x 1,485 x 2,650



## Dimensions



### Please note

that product availability can vary from country to country. It is possible that information / products may not be available in your country. More detailed information on engine power can be found in the operator's manual; the stated power may vary due to specific operating conditions.

Subject to alterations and errors excepted. Applicable also to illustrations.

Copyright © 2015 Wacker Neuson SE.