



3001

Wheel Dumpers



The complete package – 3001

With its three different types of skip (incl. lower dumping height), a top speed of 25 km/h, high ground clearance and excellent off-road capability the 3001 is top of the class. Simply complete and completely simple.

- Low maintenance hydrostatic four-wheel drive, maximum payload 3,000 kg, optional cab available ex-works.
- 3 types of skip: Front tipping skip (standard), swivel tipping skip (optional); skip with lower dumping height (2,200 mm)
- High ground clearance.
- Large service and maintenance access with through hinged one-piece engine hatch.
- A top speed of 25 km/h gets transport jobs done fast.



Technical specifications

Operating data

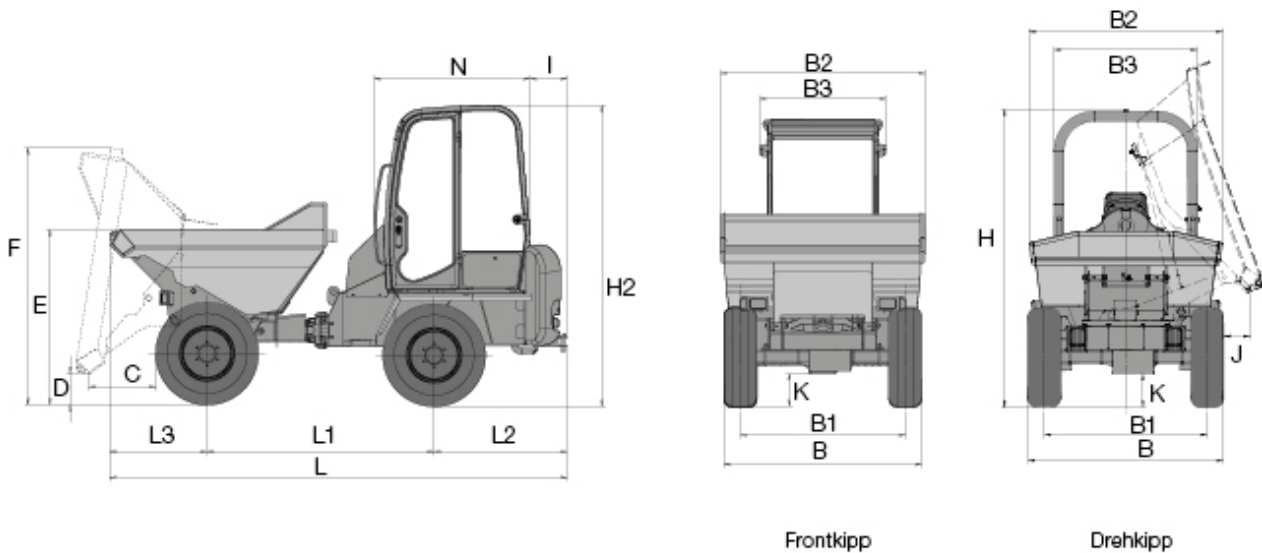
Payload	3,000 kg
Net weight	2,530 kg
Skip capacity level	1,300 l
Skip capacity heaped	1,750 l

Engine / Motor

Engine / Motor manufacturer	Yanmar
Engine / Motor type	3TNV88
Engine / Motor	Diesel
Engine performance acc. to ISO 3046/1	24.4 kW
Displacement	1,642 cm ³
Travel speed	22 km/h
Articulation angle	37 °
Pendulum angle	15 °
Turning radius	3,650 mm
Gradeability	50 %
L x W x H	4,140 x 1,785 x 2,670 mm



Dimensions



B2 Width roll-bar mm	1,310
E Skip height angle mm	1,475
F Skip height top edge tipped skip mm	2,220
H Height roll-bar opened mm	2,670
H2 Height roll-bar closed mm	1,870
J Distance turned skip mm	180
L3 Curb clearance front mm	860
D Ground clearance tipped skip mm	260



**WACKER
NEUSON**
all it takes!

Please note

that product availability can vary from country to country. It is possible that information / products may not be available in your country. More detailed information on engine power can be found in the operator's manual; the stated power may vary due to specific operating conditions.

Subject to alterations and errors excepted. Applicable also to illustrations.

Copyright © 2015 Wacker Neuson SE.