



DW100

Wheel Dumpers



Guarantees high material turnover: DW100

With a 10,000 kg payload per skip, the DW100 wheel dumper can move massive volumes in the shortest possible time — even on the most uneven ground conditions. In addition, it is dependable, easy to operate and offers first-class visibility despite its size. The professional unit for heavy loads has impressively high levels of comfort, offering an optionally available cabin or an air-conditioning system on request. Everything available in a heavyweight you can rely on.

- Hydrostatic all-wheel drive with the ECO mode
- Very good off-road capability
- First-class gradeability
- Available in a version with cabin
- Wear-free spring-loaded parking brake



Technical specifications

Operating data

Payload	10,000 kg
Shipping weight Front tip skip ROPS	5,313 kg
Shipping weight Front tip skip cabin	5,409 kg
Skip capacity Front tip skip, struck	4,100 l
Skip capacity Front tip skip, heaped	4,750 l
Skip capacity Front tip skip, water volume	2,400 l

Engine / Motor

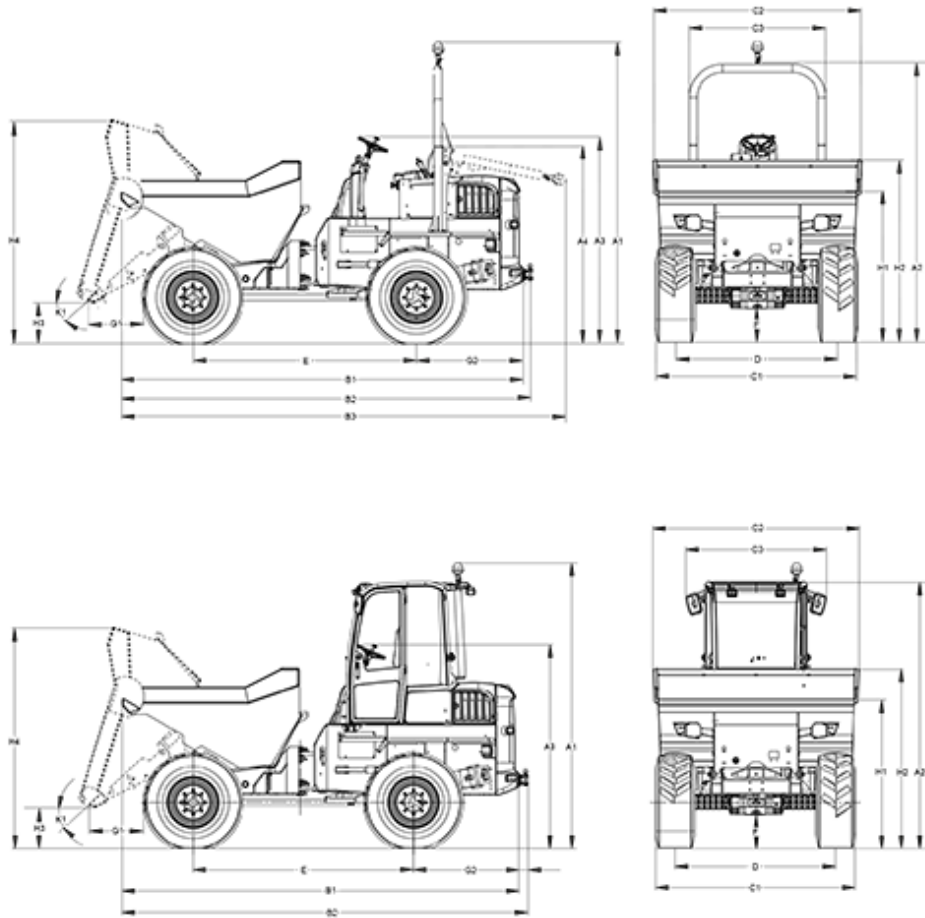
Engine / Motor manufacturer	Perkins
Engine / Motor type	854E
Engine / Motor	4-cylinder turbo-diesel
Engine performance according to ISO 3046/1	55 kW
Displacement	3,400 cm ³
Engine RPM	2,500 rpm
Emissions	Level 3b/Tier 4 interim
Traction drive	4WD, hydrostatic
Travel speed	25 km/h
Articulation angle	28.3 °
Pendulum angle	11 °
Turning radius	6,584 mm
Tires	500/60-22.5
L x W x H	4,660 x 2,465 x 3,355 mm
Steering pump	Axial piston pump
Flow rate	171 l/min
Operating pressure	450 bar
Duty pump	Gear pump
Flow rate	171 l/min
Operating pressure	450 bar
Tank capacity	82.5 l
Hydraulic oil tank	78.5 l
Sound level (LwA)	103 dB(A)



**WACKER
NEUSON**
all it takes!



Dimensions



C2	Overall width mm	2,491
C2	Skip width mm	2,491
C1	Width mm	2,463
H2	Skip height mm	2,300
H4	Skip height tilted mm	2,755
K1	Tip-out angle °	47
A1	Height total (ROPS) mm	3,593
A3	Height tilted ROPS mm	2,544
B1	Length mm	4,660
E	Wheelbase mm	2,700
G2	Rear overhang mm	1,192
G1	Distance mm	555
F	Ground clearance mm	406



**WACKER
NEUSON**
all it takes!

H3 Ground clearance mm

495

Please note

that product availability can vary from country to country. It is possible that information / products may not be available in your country. More detailed information on engine power can be found in the operator's manual; the stated power may vary due to specific operating conditions. Subject to alterations and errors excepted. Applicable also to illustrations.

Copyright © 2015 Wacker Neuson SE.